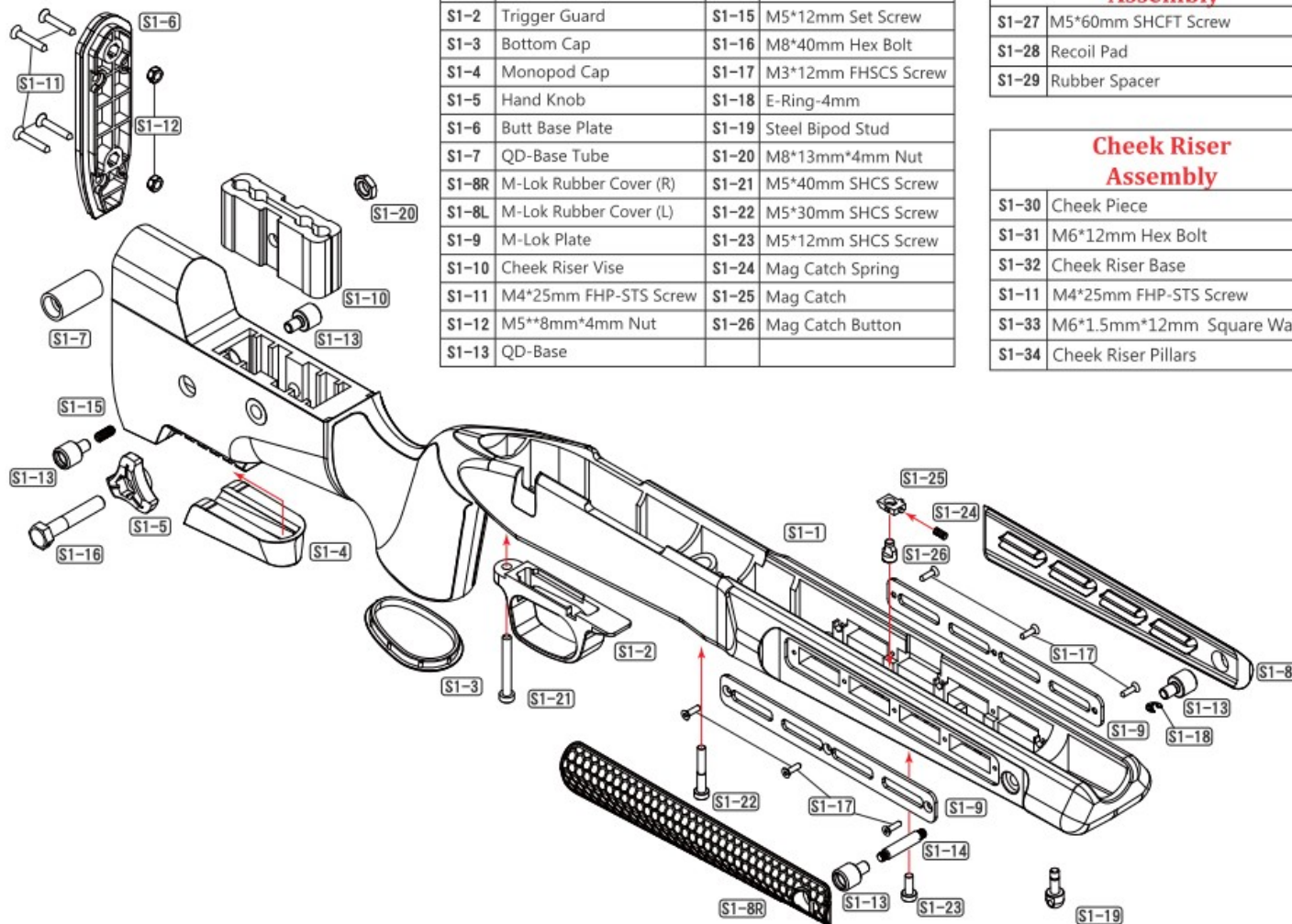
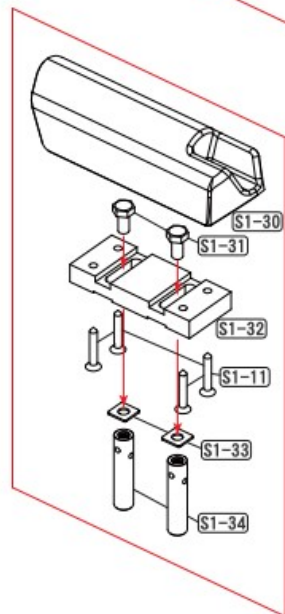
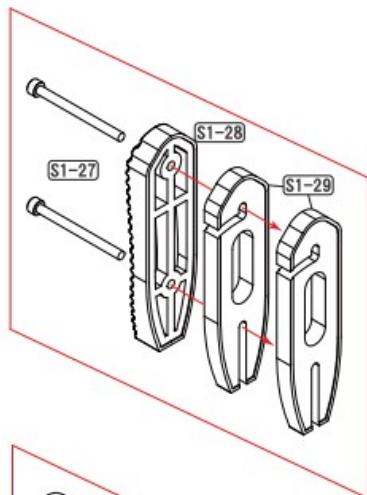


Parts List

MLC-S1 Rifle Stock



(For Tokyo Marui VSR-10 Sniper Rifle)



Stock Assembly

S1-1	Stock	S1-14	QD-Base Pillar
S1-2	Trigger Guard	S1-15	M5*12mm Set Screw
S1-3	Bottom Cap	S1-16	M8*40mm Hex Bolt
S1-4	Monopod Cap	S1-17	M3*12mm FHSCS Screw
S1-5	Hand Knob	S1-18	E-Ring-4mm
S1-6	Butt Base Plate	S1-19	Steel Bipod Stud
S1-7	QD-Base Tube	S1-20	M8*13mm*4mm Nut
S1-8R	M-Lok Rubber Cover (R)	S1-21	M5*40mm SHCS Screw
S1-8L	M-Lok Rubber Cover (L)	S1-22	M5*30mm SHCS Screw
S1-9	M-Lok Plate	S1-23	M5*12mm SHCS Screw
S1-10	Cheek Riser Vise	S1-24	Mag Catch Spring
S1-11	M4*25mm FHP-ST5 Screw	S1-25	Mag Catch
S1-12	M5**8mm*4mm Nut	S1-26	Mag Catch Button
S1-13	QD-Base		

Recoil pad & Spacer Assembly

S1-27	M5*60mm SHCFT Screw
S1-28	Recoil Pad
S1-29	Rubber Spacer

Cheek Riser Assembly

S1-30	Cheek Piece
S1-31	M6*12mm Hex Bolt
S1-32	Cheek Riser Base
S1-11	M4*25mm FHP-ST5 Screw
S1-33	M6*1.5mm*12mm Square Washer
S1-34	Cheek Riser Pillars

For Airsoft Use Only

Manufactured By Maple Leaf